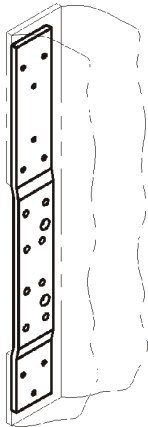


TECHNICAL DATA SHEET

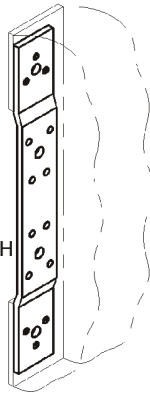
D - 100 - 05 STANDARD HARDWARE PREPARATIONS

STANDARD HARDWARE PREPARATIONS



10 GAUGE EXTENDED
AT TOP OF DOOR
FOR EXTRA RIGIDITY
WITH 3 EXTRA
PROJECTION WELDS

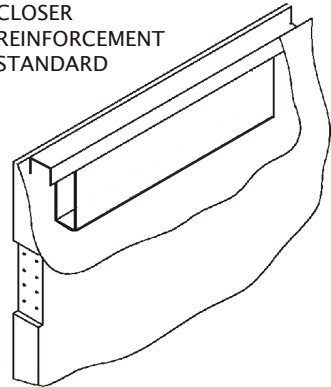
DETAIL D
TOP HINGE
REINFORCEMENT



10 GAUGE WITH
6 PROJECTION
WELDS

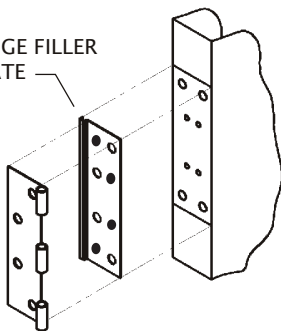
DETAIL E
ALL OTHER HINGE
REINFORCEMENT

14 GAUGE BOX TYPE
CLOSER
REINFORCEMENT
STANDARD



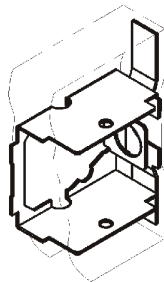
DETAIL F

HINGE FILLER
PLATE



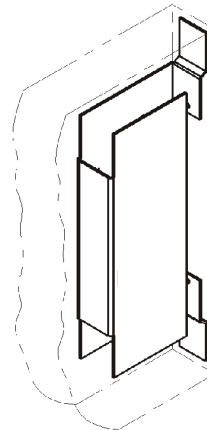
"UNIVERSAL HANDING"

16 GAUGE ONE
PIECE FORMED LOCK
REINF. WITH EXTRUDED
TAPPED HOLES TO
EQUAL OR EXCEED
14 GAUGE THICKNESS



DETAIL G1
"CYLINDRICAL LOCK
REINFORCEMENT"
ANSI A115.1

ONE PIECE 14 GAUGE
LOCK REINFORCEMENT
FOR GOVERNMENT
86 TYPE MORTISE LOCK



DETAIL G2
"MORTISE LOCK
REINFORCEMENT"
ANSI A115.1

Issue Date: January 2006

REVISED : 02/01/2009

